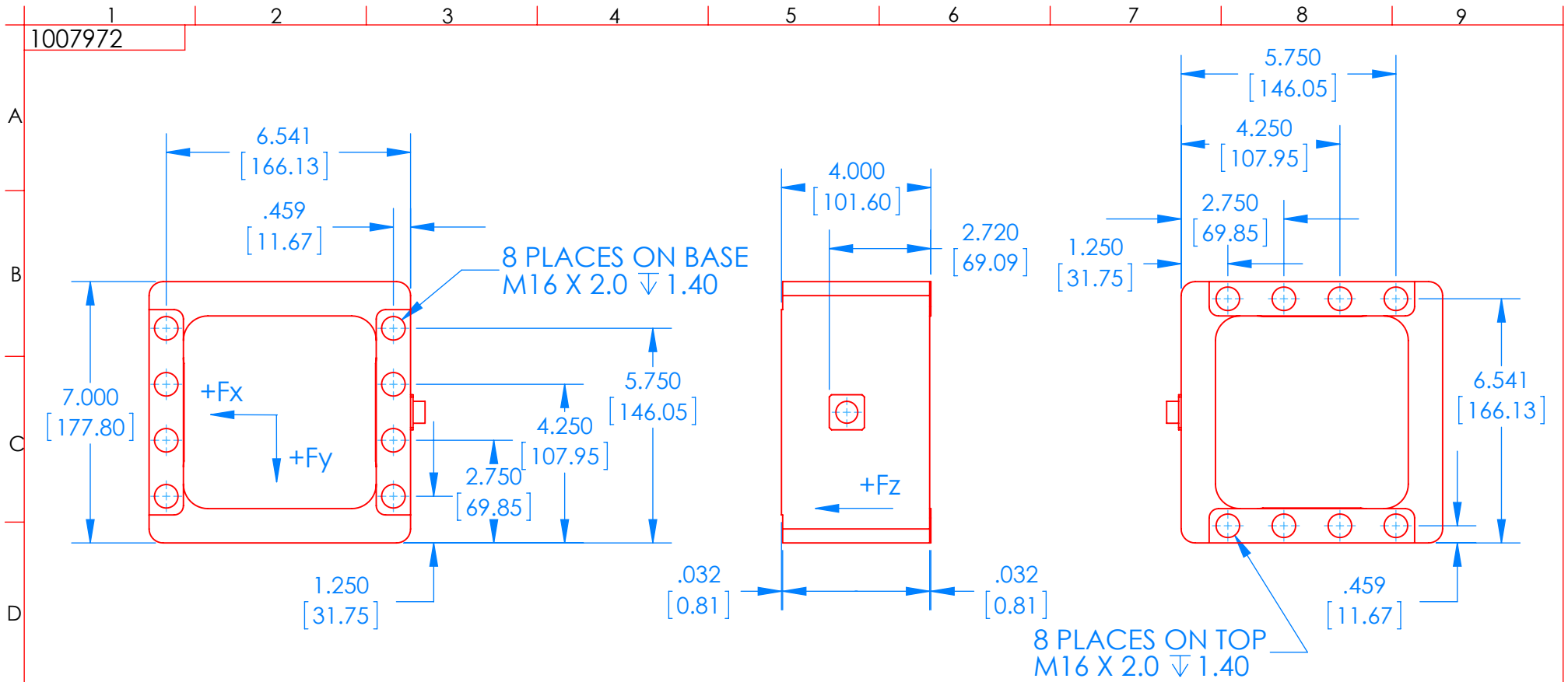
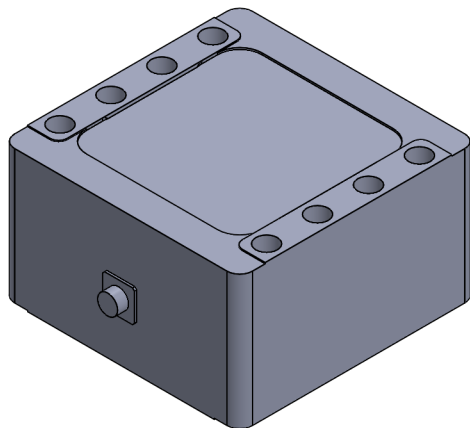



1007972



Notes:

- For clarity, some hidden lines and transducer geometry are not shown.
- Dimensions are in inch [mm]; all tolerances are ± 0.005 in [0.13 mm] unless otherwise noted.
- Positive outputs result when the transducer tip is displaced relative to the transducer base in the directions indicated.



 MICHIGAN SCIENTIFIC CORPORATION 8500 ANCE ROAD CHARLEVOIX, MICHIGAN 49720 www.michsci.com	
MODEL: TR3D-D-100K	
SIZE A	DWG. NO. 1007972
SCALE: 1:4	SHEET 1 OF 1